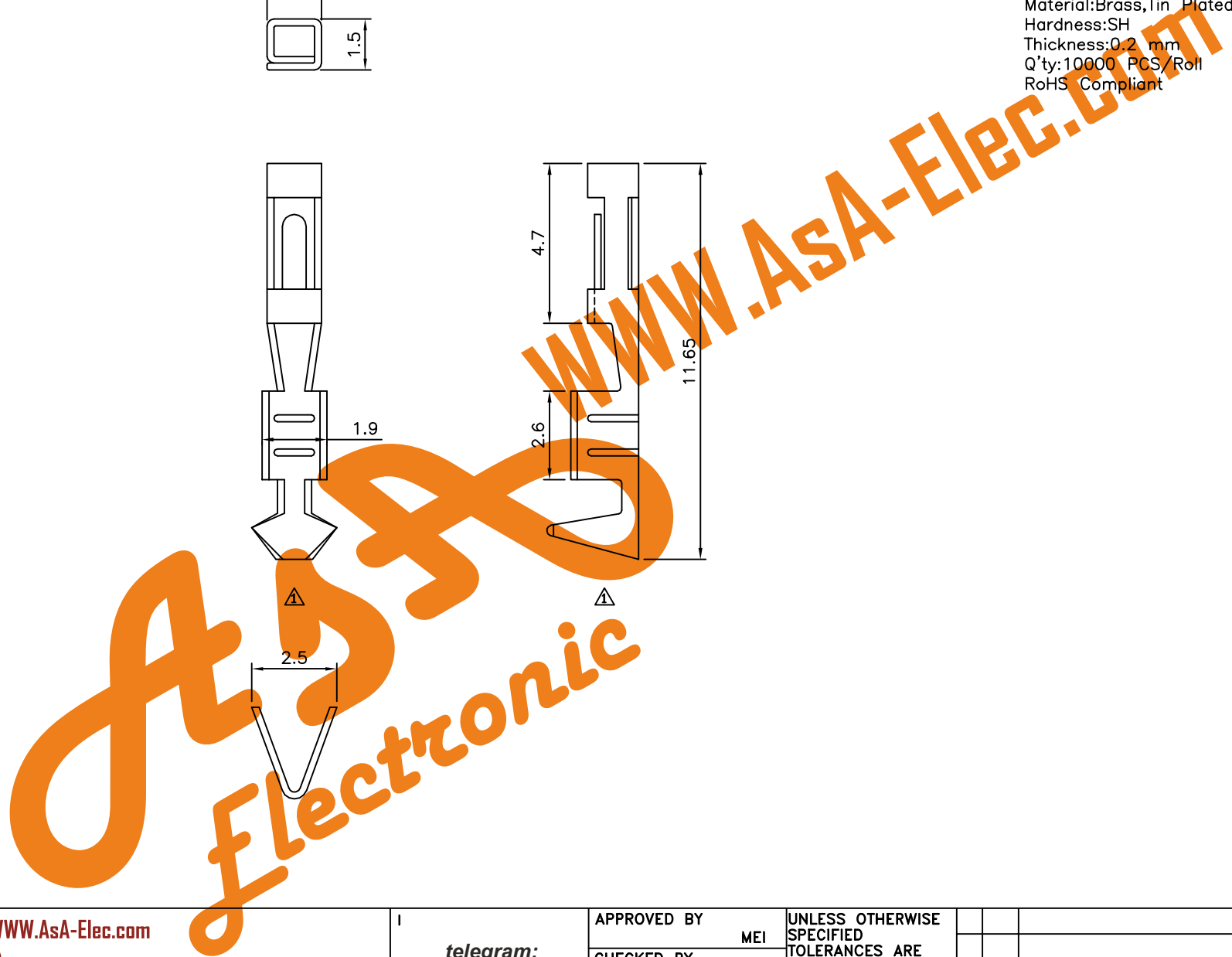
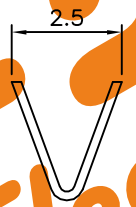
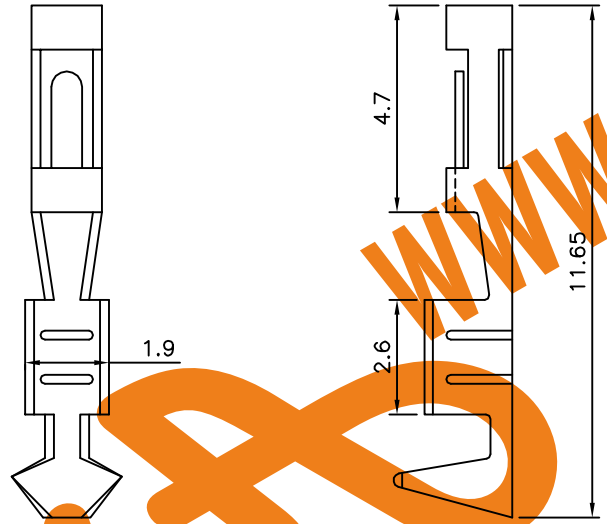
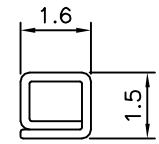


△ SPECIFICATION  
 Applicable Wire:AWG #22~28  
 Material:Brass,Tin Plated  
 Hardness:SH  
 Thickness:0.2 mm  
 Q'ty:10000 PCS/Roll  
 RoHS Compliant



**AsA Electronic**  
 WWW.ASA-Elec.com  
 AsA Electronic Co.  
 Tel : (+98) 21 66 73 56 82 Mob : (+98) 912 03 161 02

I		APPROVED BY		UNLESS OTHERWISE SPECIFIED TOLERANCES ARE	
telegram: 09396994470		MEI		.X ±0.38	
		CHECKED BY		.XX ±0.25	
		DRAWING BY		ANG.	
		QQJ		UNIT	
SCALE	NONE	REV.	A1	mm	

NO.	REV.	REVISIONS	CHK	DATE
△ A1		Modify Data	HZF	10/19/2010
△ A0		NEW RELEASE	BECKY	08/17/2005